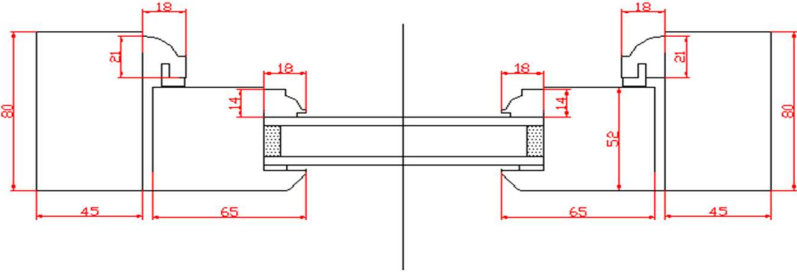
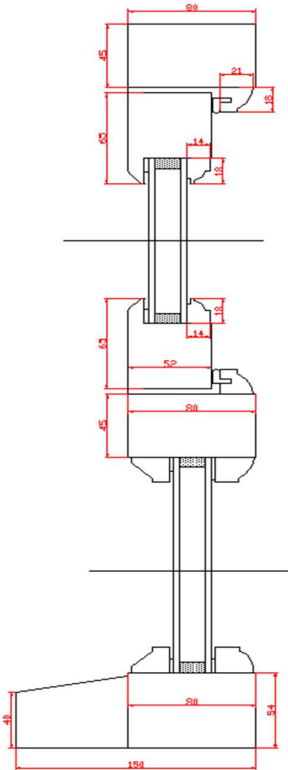
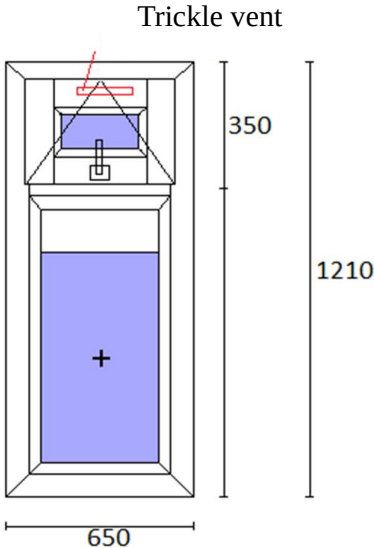


Cross section for CASEMENT with top opener (650x1210):



Cross section for CASEMENT with two side openings (910x1040):

Trickle vent

