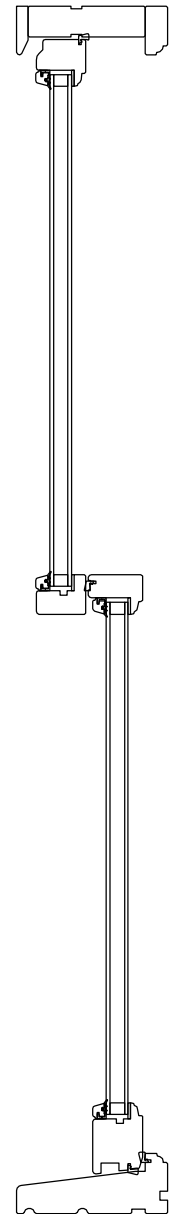
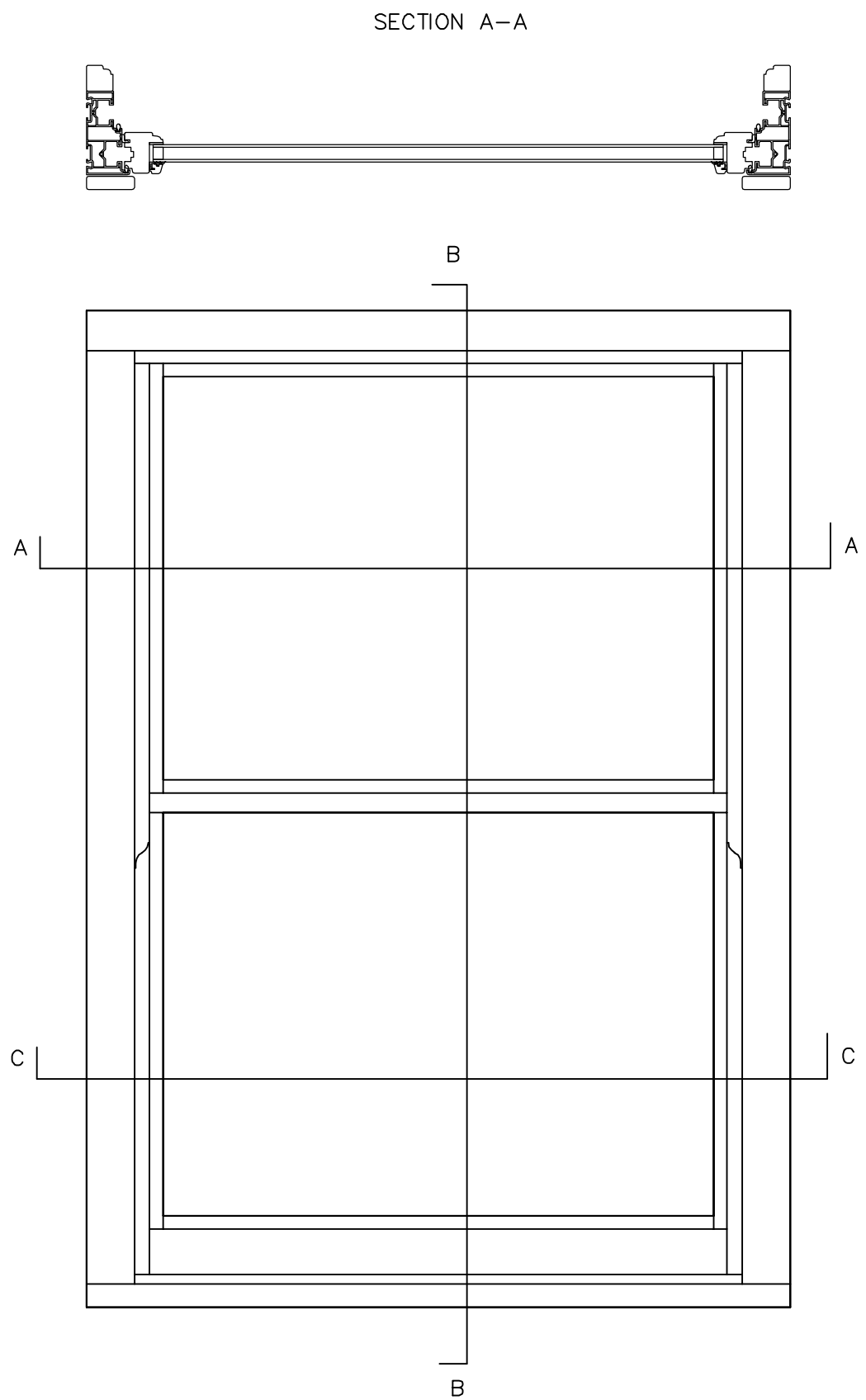


No structural changes to be made without approval.
 All dimensions to be checked on site prior to commencement.
 Do not Scale Drawing.



SECTION B-B



SECTION C-C

Revision	Date	Description	Drw	Chk
-	-	-	RH	-

Project:
-

Drawing Title:
ELEVATION AND SECTIONS - SASH WINDOW

Client:
-

Drawn	Checked	Date	Scale	Paper Size
RH		MAR 2018	NTS	A3

Job no.	Dwg. no.	Revision	<input type="radio"/> Preliminary <input checked="" type="radio"/> Design <input type="radio"/> Tender <input type="radio"/> Contract <input type="radio"/> Working
-	DWG/01	00	